



PRODUCTS CATALOG

ELECTRICAL ENCLOSURES & MODULAR CABINETS



20

exmweb.com

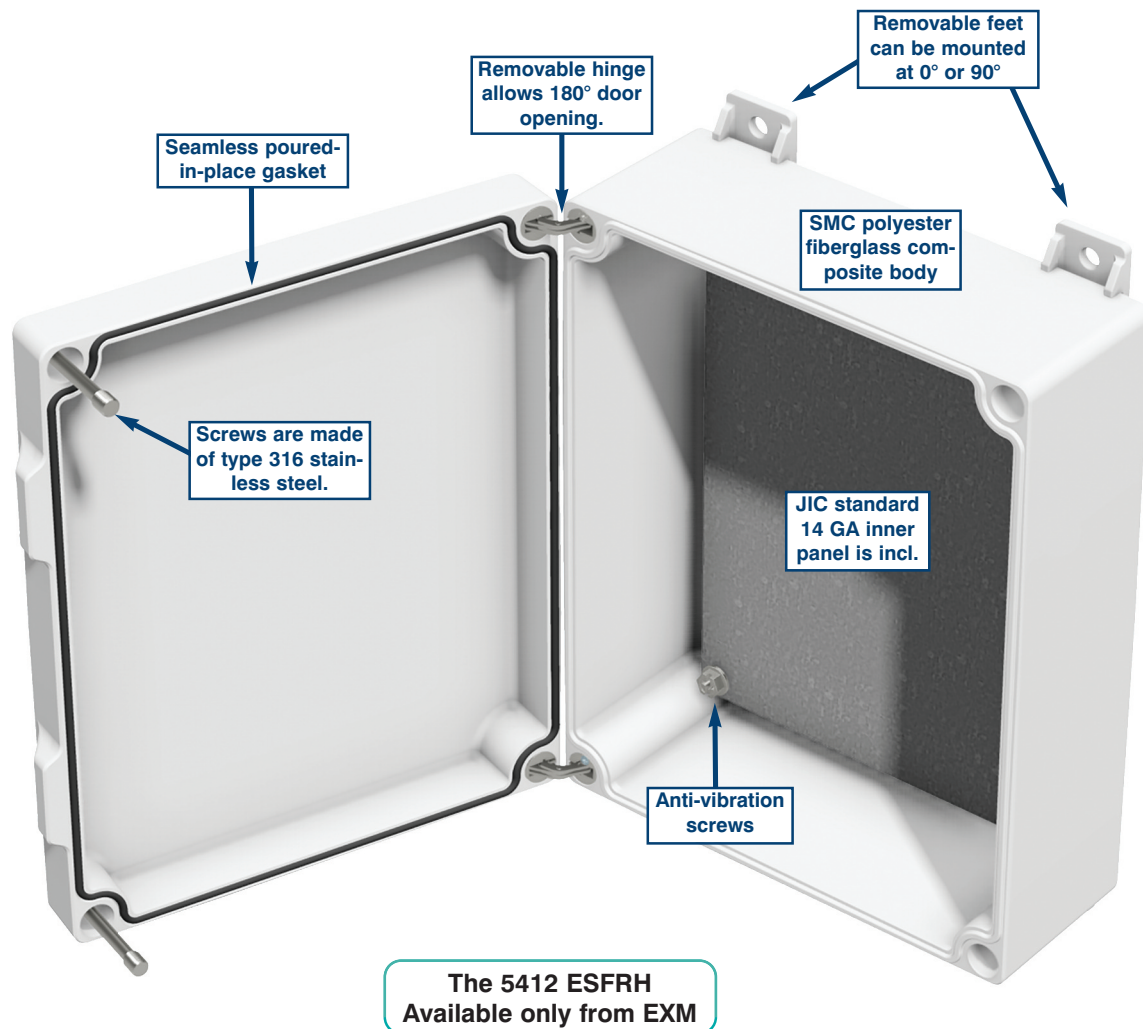
HINGED CORROSION RESISTANT FIBERGLASS ENCLOSURES

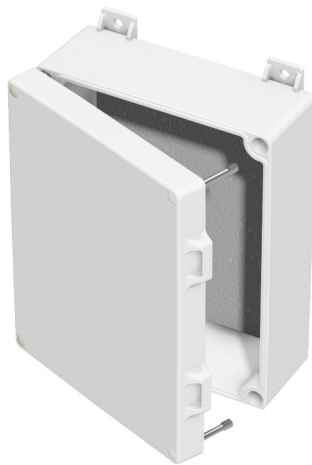
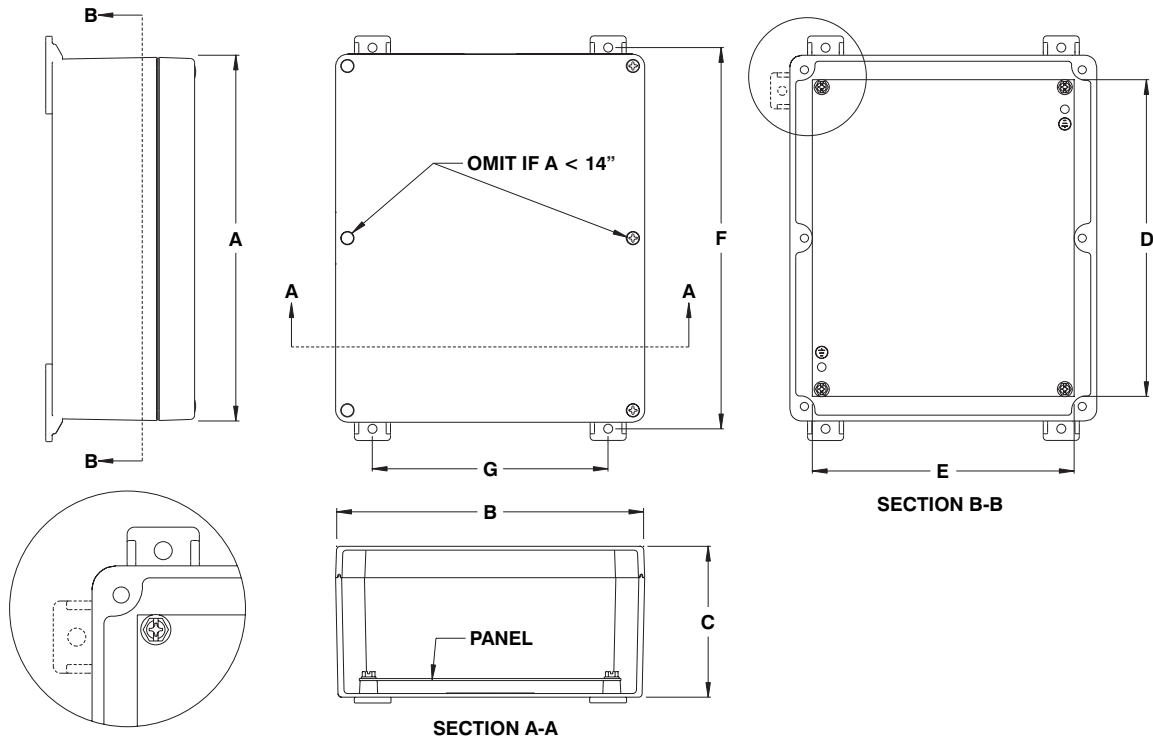
The 5412 ESRFH water, oil & dust tight enclosures are used indoors or outdoors, in areas where a corrosion problem exists or where the enclosures may be subject to hosing or water coming from any direction, or for protection against dust, dirt or oil splashing. The 5412 ESRFH is aesthetically designed and exclusively produced by EXM, and is made of a SMC polyester fiberglass composite. Fiberglass is the material of choice for numerous industrial applications. Its

electrical, chemical and physical properties allow reinforced fiberglass to be used in many environments, and for a wide variety of applications. A high quality, robotically poured-in-place, seamless gasket ensures a complete NEMA 4X seal. The cover screws are made of stainless steel. The concealed hinges are removable and allow a 180° door opening. The hinges for the 5412 ESRFH can be placed on any side of the enclosure, and permit right, left, top or bottom door

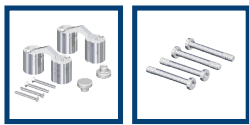
opening. The mounting feet can be installed at 0° or 90°, to be used either at the top and bottom of the box or at its sides. The 5412 ESRFH enclosures **come with a JIC standard 14 GA galvanized inner panel**, which can be interchanged with the panels used in ESCH enclosures. Inner panels and mounting feet are secured by anti-vibration screws.

CSA-US Certified
NEMA/EMAC 4X / IP66





CATALOG NUMBER	DIMENSIONS							SHIP WGT LBS.
	A	B	C	D	E	F	G	
5412 ESRH040403	4.5	4.5	3.125	--	--	4.937	2	1
5412 ESRH040604	4.5	6.5	4.125	2.88	4.88	4.937	4	2
5412 ESRH060404	6.5	4.5	4.125	4.88	2.88	6.937	2	2
5412 ESRH060604	6.5	6.5	4.125	4.88	4.88	6.937	4	2
5412 ESRH060804	6.5	8.5	4.125	4.88	6.88	6.937	6	2
5412 ESRH080604	8.5	6.5	4.125	6.88	4.88	8.937	4	2
5412 ESRH080804	8.5	8.5	4.125	6.88	6.88	8.937	6	3
5412 ESRH081004	8.5	10.5	4.125	6.88	8.88	8.937	8	4
5412 ESRH100804	10.5	8.5	4.125	8.88	6.88	10.937	6	4
5412 ESRH101205	10.5	12.5	5.125	8.88	10.88	10.937	10	7
5412 ESRH121005	12.5	10.5	5.125	10.88	8.88	12.937	8	7
5412 ESRH081006	8.5	10.5	6.125	6.88	8.88	8.937	8	6
5412 ESRH100806	10.5	8.5	6.125	8.88	6.88	10.937	6	6
5412 ESRH121206	12.5	12.5	6.125	10.88	10.88	12.937	10	10
5412 ESRH121406	12.5	14.5	6.125	10.88	12.88	12.937	12	12
5412 ESRH141206	14.5	12.5	6.125	12.88	10.88	14.937	10	12
5412 ESRH161406	16.5	14.5	6.125	14.88	12.88	16.937	12	16



p.386

p.386